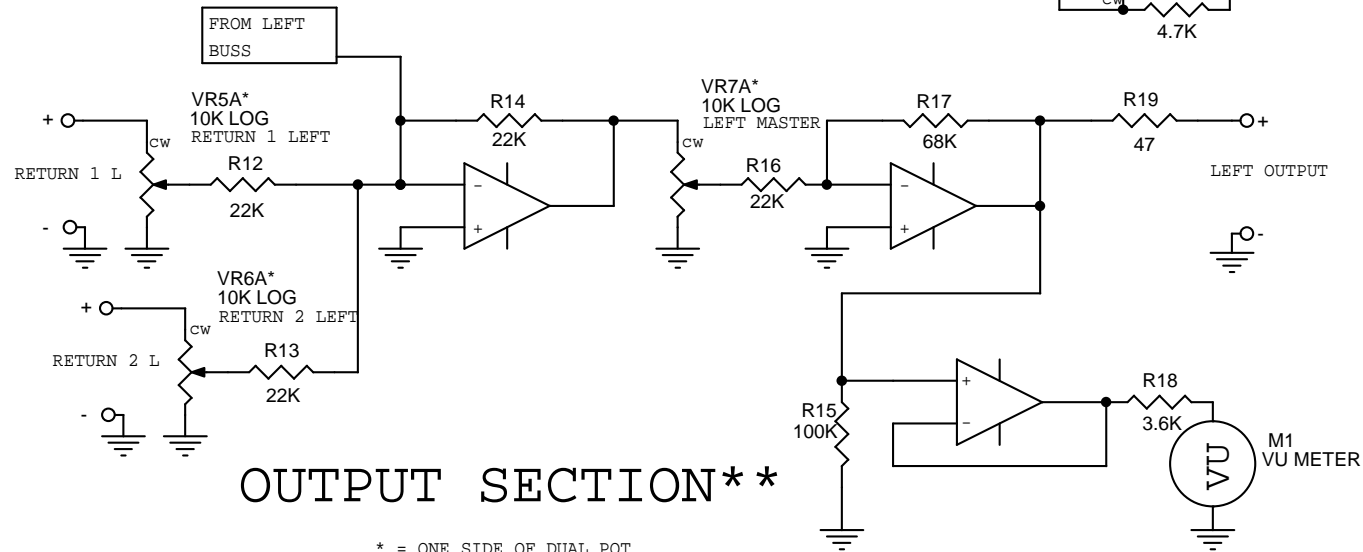


INPUT CHANNEL

ADD COUPLING/BYPASS CAPS, INPUT/OUTPUT TRANSFORMERS, ETC. AS APPROPRIATE.



OUTPUT SECTION**

* = ONE SIDE OF DUAL POT
 **= ONLY LEFT CHANNEL IS SHOWN. RIGHT CHANNEL IS IDENTICAL. AUX OUTPUTS ARE IDENTICAL LESS VR5, VR6, R12 AND R13 (AND VU METER/BUFFER IF DESIRED)

PFL/MONITOR SECTION NOT SHOWN

LINE MIXER-- BASIC OUTLINE			
Title		<Title>	
Size	Document Number	Rev	
A		by "NewYorkDave"	
Date:	Thursday, September 07, 2006	Sheet	1 of 1

This document was created with Win2PDF available at <http://www.daneprairie.com>.
The unregistered version of Win2PDF is for evaluation or non-commercial use only.